

Programmable Temperature Compensated YSO511PJ TCXO



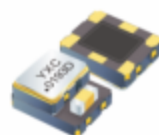
Applications

- Networking
- Industrial

Features

- Fast Delivery
- Performance of 0.8ps RMS

- Low Jitter Design with New Developed IC
- Package Size: 3.2*2.5mm, 7.0*5.0mm



Specifications (规格参数)

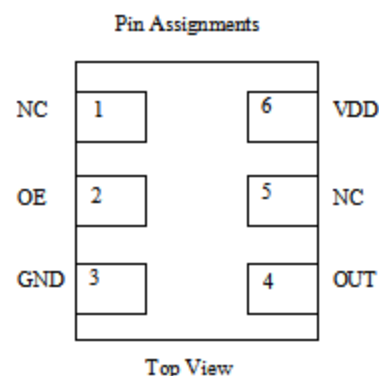
Item / Type	CMOS							
Frequency Range 额定频率范围	10MHz~250MHz							
Supply Voltage VDD 电源电压	2.5V, 3.3V							
Operating Temperature Range 工作温度	-40~+85°C, or specify							
Storage Temperature Range 储存温度	-55~+150°C							
Output Type 输出方式	CMOS							
Rise Time / Fall Time (Tr/ Tf: 10% ↔ 90% waveform) 上升沿/下降沿	1.5nsec (typ.) 3.0nsec (max.)							
Duty Cycle 占空比	45~55%							
Voltage VOH (Min.) / VOL (Max.) 输出电压	VOH = 90%VDD / VOL = 10%VDD							
Start-up Time 启动时间	5.0msec (max.)							
Output Load 输出负载	15pF							
RMS Jitter [12 kHz ~ 20 MHz] 相位抖动	0.8ps (typ.)							
Current Consumption (Max.) 消耗电流	Vdd=2.5V				Vdd=3.3V			
	50MHz : 34mA 125MHz : 38mA 200MHz : 40mA				50MHz : 36mA 125MHz : 40mA 200MHz : 44mA			
Current with Output Disabled 禁用电流	18mA (typ.)							
Initial Calibration Tolerance 初始校准公差	±2.0 ppm (max.) at +25°C ±2°C (at the shipment)							
Voltage VOH (Min.) / VOL (Max.) 输入电压	70% of VDD (min.) to enable output (Open connection prohibit.)							
	30% of VDD (max.) to disable output							
Frequency Stability 频率偏差	Temperature (ref to +25°C)				± 2.5 ppm over -30°C to +85°C (default)			
					± 1.0 ppm over -40°C to +85°C (available)			
	Aging at Ta = +25°C				± 2.0 ppm max, first year at 25°C			
Frequency Stability 频率偏差	Voltage Change				± 0.2 ppm max, for a ±5% input voltage change			
	Load Change				± 0.2 ppm max, for a ±10% load condition change			
	Reflow				± 1.0 ppm max, 1 reflow and measured 24 hours afterwards			
Phase Noise [dBc / Hz (Typical)] 相位噪声	Offset	10Hz	100Hz	1KHz	10KHz	100KHz	1MHz	10MHz
	125MHz	-51	-93	-111	-123	-125	-135	-155
	212.5MHz	-42	-87	-105	-115	-118	-130	-151
	312.5MHz	-49	-88	-107	-111	-114	-124	-147

Programmable Temperature Compensated YSO511PJ TCXO



Pin Description (脚位说明)

Pin	#1	#2	#3
FUNCTION	No Connection	Out Enable	Ground
Pin	#4	#5	#6
FUNCTION	Output	No Connection	Supply Voltage



Notes:

1. Please keep the NC pin floating during use. Do not connect it to any network (power, ground, or signal).
2. The provided pinout is for reference purposes only. The definitive material specification document must be obtained by contacting a sales representative.

Dimensions and Recommended Land Pattern (外观尺寸及推荐焊盘)

Dimensions (Unit: mm)	Recommended Land Pattern (Unit: mm)
<p>3.2x2.5mm</p> <p>Top View</p> <p>Bottom View</p> <p>Side View</p> <p>Recommended soldering Pattern</p>	<p>Recommended soldering Pattern</p>
<p>7.0x5.0mm</p> <p>Top View</p> <p>Bottom View</p> <p>Side View</p> <p>Recommended soldering Pattern</p>	<p>Recommended soldering Pattern</p>

Notes:

The package outlines are for reference purposes only. The definitive material specification document must be obtained by contacting a sales representative.

Programmable Temperature Compensated YSO511PJ TCXO



Output Waveform and Test Circuit (输出波形和测试电路)

